



Delo® Protection for Construction Equipment

Hydraulic System

- Delo TorqForce™ SAE 10W (CAT TO-4)
- Delo TorqForce MP (CAT TO-4M)
- Delo TorqForce Syn SAE 5W-20
- Rando® HDZ



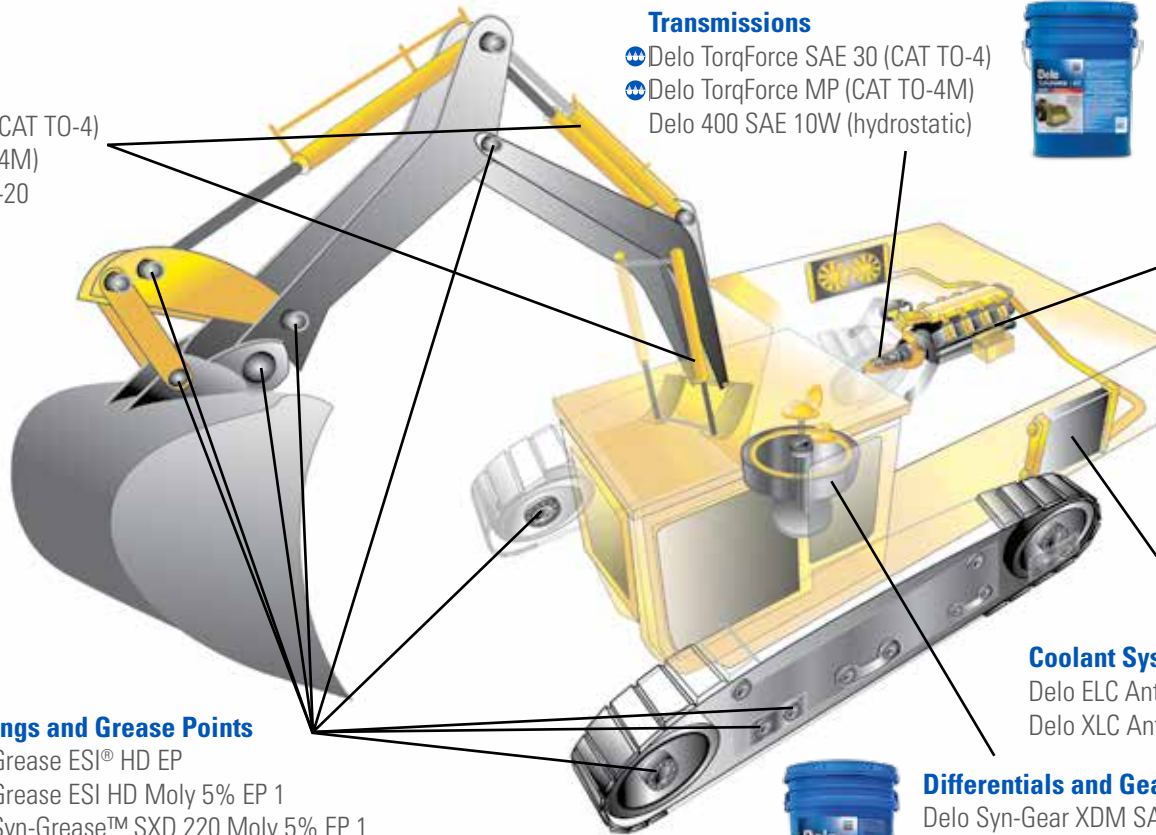
Transmissions

- Delo TorqForce SAE 30 (CAT TO-4)
- Delo TorqForce MP (CAT TO-4M)
- Delo 400 SAE 10W (hydrostatic)



Engine Crankcase

- Delo 400 XSP SAE 5W-40
- Delo 400 XLE SAE 15W-40
- Delo 400 XLE SAE 10W-30
- Delo 400 SDE SAE 15W-40



Bearings and Grease Points

- Delo Grease ESI® HD EP
- Delo Grease ESI HD Moly 5% EP 1
- Delo Syn-Grease™ SXD 220 Moly 5% EP 1



Coolant System

- Delo ELC Antifreeze/Coolant Premixed 50/50
- Delo XLC Antifreeze/Coolant Premixed 50/50



Differentials and Gear Drives

- Delo Syn-Gear XDM SAE 75W-90
- Delo Gear ESI SAE 80W-90
- Delo TorqForce SAE 50 (CAT TO-4)



Available as ISOCLEAN® Certified

The product recommendations provide general guidelines for use in construction equipment. All manufacturers have different coolant and lubricant requirements and recommendations. It will be important to contact a Chevron representative or refer to the Original Equipment Manufacturer manual to confirm the proper product is used for the application. Visit chevron-gsc.force.com/lubeteksupport for confirmation of specific OEM specifications.



Delo®

Let's go further.®

A Chevron company product

©2018 Chevron U.S.A. Inc. All rights reserved. All trademarks are property of Chevron Intellectual Property LLC or their respective owners.

DLPTCNEQST_06-18